



Consulting Automation

RTS is an **approved supplier** for:



The Ontario Ministry of Transportation



Who we are

Real Time Systems (RTS) is a world class supplier of Business Manufacturing Intelligence turnkey industrial automation solutions. With its headquarters located in Toronto, Ontario, and a regional office in Eastern US, RTS realizes its success by being a trusted advisor and delivering exceptional value to industrial companies as they strive to achieve "Global Manufacturing Excellence".

What we do

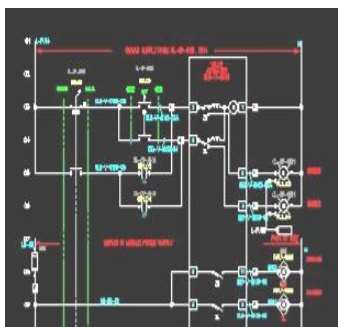
RTS designs, manufactures, sells and supports Business Manufacturing Intelligence solutions for companies operating in the following sectors and industries: Chemicals (industrial) & Fine Chemicals (pharmaceutical, cosmetics, food & beverage chemicals); Food & Beverage; Transportation (automotive, rail, marine, aerospace); Water and Waste Water.

With over 20 years of experience, RTS provides its clients with a competitive advantage, helping them achieve their manufacturing business strategy with minimal organizational resources.

Engineering & Design

Major Automation Contractor (MAC) for:

- Electrical Design
- Controls Design
- Instrumentation Design
- Systems Integration
- EPC & Design Build
- Software Development (PLC, PAC, HMI, SCADA, MES, ERP)
- Project Management



Manufacturing

- Shop Floor Data Collection Appliance
- Custom fabricated control panels and assemblies, including:
 - PLC Control Panels
 - Motor Control Panels
 - Industrial Telecom & Networking Rack Assemblies
 - Protection Control & Relay Rack Assemblies / Panels
 - Medium Voltage Surge Protection Panels
 - Electrical Distribution Control Panels / Rack Assemblies
 - Municipal Lighting Control Panels
 - E-Houses
 - Custom MCC's
 - Pneumatic Control Panels
 - HVAC Control Panels
 - Manual Operator Stations

On-Site Service

- Training & Knowledge Transfer
- Installation & Commissioning
- Software Programming on the following platforms:
 - Allen Bradley / Rockwell Automation
 - GE
 - Siemens
 - Wonderware
 - Iconics
 - Canon
 - Mitsubishi
 - Telemecanique / Modicon



Support

- Post Sales Support
- After Hours Service
- Troubleshooting (on-site or remote)



Some of our customers



* Designated trademarks, brands & logos belong to their respective owners.

For additional information please contact us:

Website www.rtsperfectplant.com

USA-Canada-Brazil | (416) 798-2511 | info@rtsperfectplant.com